



LMI
MILTON ROY

Introducing...

ROYTRONIC™

SERIES A

Setting the New
HIGH STANDARD
for
Electronic
Metering Pumps

3 Year Warranty



ROYTRONIC™ SERIES A

New robust design with the advanced features and high end performance you expect from LMI

Control Features

- Choose from one of 5 control options:
 - Manual stroke length control / fixed speed
 - Manual stroke length and speed control
 - Manual stroke length / pulse input speed control
 - Manual stroke length / auto pulse input or manual speed control
 - Manual stroke length / auto 4-20mA or manual speed control
- Locking Cover
- NEMA 4X / IP65 Enclosure
- Stroke indicator light
- On/Off push button
- New industrial grade IP-68 external signal/equipment interface
- Inputs for low level switch available on certain models



New AutoPrime™ Liquid End

- Automatically and continuously purges entrapped air from process fluid
- Eliminates air binding when used with liquids such as sodium hypochlorite



New Heights in Standard Features

- New 4 Function Valve with swivel mount that allows flexible orientation
- FastPrime standard liquid end enables easy start-up
- Both single and double ball checks available for improved pumping efficiency
- Tubing connection system sets a new standard for secure and leak-proof tubing connections



Tubing Connection System - Exploded View

**Liquifram
Size 1**
1/4" O.D. Tubing

Drive Assembly	Liquid End Type	Liquid End Code	Check Type	Material of Construction					Accs. Valve
				Head/Fittings	Balls	Seat	O-ring	Max PSI/BAR	
A81_ A71_ A31_ A11_ A01_ A84_ A74_ A34_ A14_ A04_	AutoPrime™	910HI	Double Ball	Acrylic/PVC	Ceramic	Polyprel	Polyprel	150/10.3	APH + 4FV
		918HI		PVC/PVC	Ceramic	Polyprel	Polyprel	150/10.3	APH + 4FV
	FastPrime™	Double Ball	910SI	Acrylic/PVC	Ceramic	Polyprel	Polyprel	250/17.2	FPH + 4FV
			915SI	PP/PP	Ceramic	PTFE	PTFE	250/17.2	FPH + 4FV
			919SI	Acrylic/PVDF	PTFE	Polyprel	Polyprel	250/17.2	FPH + 4FV
			812SI	PVDF/PVDF	Ceramic	Polyprel	Polyprel	250/17.2	FPH + 4FV
		Double Ball	813SI	PVDF/PVDF	Ceramic	PTFE	PTFE	250/17.2	FPH + 4FV
			918SI	PVC/PVDF	Ceramic	Polyprel	Polyprel	250/17.2	FPH + 4FV
			818SI	PVC/PVDF	Ceramic	Polyprel	Polyprel	250/17.2	FPH + 4FV
			718SI	PVC/PVDF	Ceramic	Polyprel	Polyprel	250/17.2	FPH + 4FV
	917NI	Double Ball	316 SS/316 SS	316 SS	316 SS	PTFE	250/17.2	FPH 1/4" NPT M	

**Liquifram
Size 2**
3/8" O.D. Tubing

Drive Assembly	Liquid End Type	Liquid End Code	Check Type	Material of Construction					Accs. Valve
				Head/Fittings	Balls	Seat	O-ring	Max PSI/BAR	
A85_ A75_ A35_ A15_ A05_	AutoPrime™	920HI	Double Ball	Acrylic/PVC	Ceramic	Polyprel	Polyprel	110/7.6	APH + 4FV
		928HI		PVC/PVC	Ceramic	Polyprel	Polyprel	110/7.6	APH + 4FV
	FastPrime™	Double Ball	920SI	Acrylic/PVC	Ceramic	Polyprel	Polyprel	110/7.6	FPH + 4FV
			925SI	PP/PP	Ceramic	PTFE	PTFE	110/7.6	FPH + 4FV
			929SI	Acrylic/PVDF	PTFE	Polyprel	Polyprel	110/7.6	FPH + 4FV
			822SI	PVDF/PVDF	Ceramic	Polyprel	Polyprel	110/7.6	FPH + 4FV
		Double Ball	823SI	PVDF/PVDF	Ceramic	PTFE	PTFE	110/7.6	FPH + 4FV
			828SI	PVC/PVC	Ceramic	Polyprel	Polyprel	110/7.6	FPH + 4FV
			728SI	PVC/PVC	Ceramic	Polyprel	Polyprel	110/7.6	FPH + 4FV
			927NI	Double Ball	316SS/316SS	316SS	316SS	PTFE	110/7.6

**Liquifram
Size 3**
3/8" O.D. Tubing

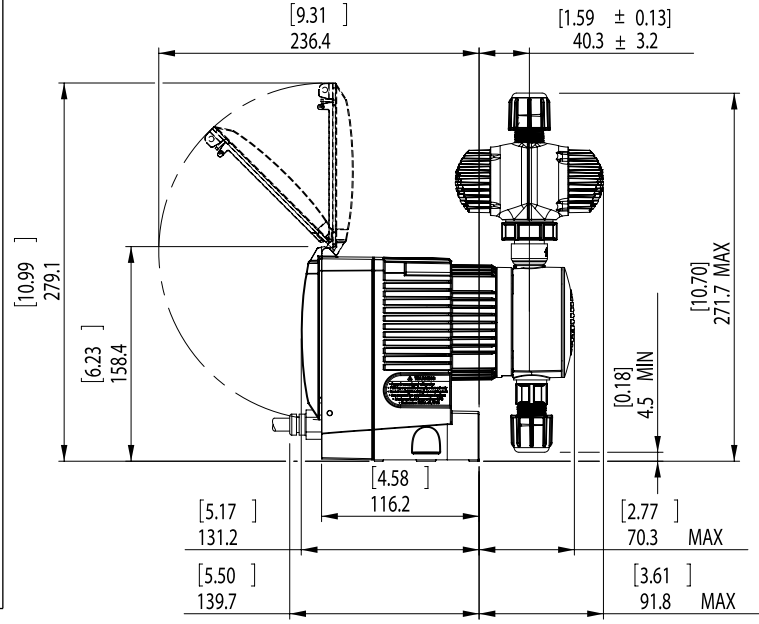
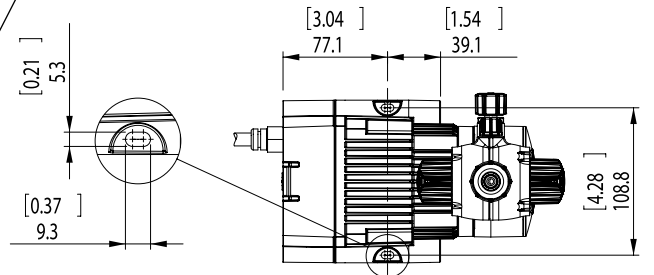
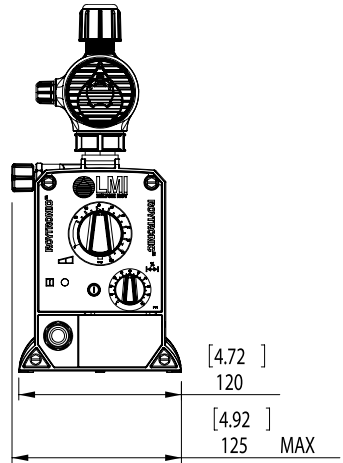
Drive Assembly	Liquid End Type	Liquid End Code	Check Type	Material of Construction					Accs. Valve
				Head/Fittings	Balls	Seat	O-ring	Max PSI/BAR	
A86_ A76_ A36_ A16_ A06_	AutoPrime™	930HI	Double Ball	Acrylic/PVC	Ceramic	Polyprel	Polyprel	50/3.4	APH + 4FV
		938HI		PVC/PVC	Ceramic	Polyprel	Polyprel	50/3.4	APH + 4FV
	FastPrime™	Double Ball	930SI	Acrylic/PVC	Ceramic	Polyprel	Polyprel	50/3.4	FPH + 4FV
			935SI	PP/PP	Ceramic	PTFE	PTFE	50/3.4	FPH + 4FV
			939SI	Acrylic/PVDF	PTFE	Polyprel	Polyprel	50/3.4	FPH + 4FV
			832SI	PVDF/PVDF	Ceramic	Polyprel	Polyprel	50/3.4	FPH + 4FV
		Double Ball	833SI	PVDF/PVDF	Ceramic	PTFE	PTFE	50/3.4	FPH + 4FV
			838SI	PVC/PVC	Ceramic	Polyprel	Polyprel	50/3.4	FPH + 4FV
			738SI	PVC/PVC	Ceramic	Polyprel	Polyprel	50/3.4	FPH + 4FV
			937NI	Double Ball	316SS/316SS	316SS	316SS	PTFE	50/3.4

- To specify changes in head, accessory valve, and/or connections, please refer to the model code configuration chart.
- APH indicates that the pump is equipped with an LMI AutoPrime™ Head. This head allows for the constant removal of vapors and gases present in applications like sodium hypochlorite and hydrogen peroxide.
- FPH indicates that the pump is equipped with an LMI FastPrime™ Head. This head has an integral manual priming valve to facilitate quick pump start-up.
- 4FV indicates that the pump is equipped with an LMI Four Function Valve. This diaphragm type, anti-syphon/pressure relief valve is installed on the pump head.
- Fluorofilm™ is a copolymer of PTFE and PFA. Polyprel® is an elastomeric PTFE copolymer.
- Polyprel® is a registered trademark of Liquid Metronics Incorporated. Fluorofilm™, Liquifram™, AutoPrime™ and FastPrime™ are trademarks of Liquid Metronics Incorporated.

Model A 7 5 1 - 8 2 8 S I

Model Code Configuration

Drive	Control Code
	<p>0 – Single Manual Control: Speed (stroking frequency) fixed and stroke length manually adjustable</p> <p>1 – Dual Manual Control: Speed (stroking frequency) and stroke length manually adjustable</p> <p>3 – Pulse Input / Single Manual Control: External control capability through pulse input and low level float switch plus manual control adjustments of control code 0</p> <p>7 – Pulse Input / Dual Manual Control: External control capability through pulse input and low level float switch plus manual control adjustments of control code 1</p> <p>8 – Analog Input / Dual Manual Control: External control capability through 4-20mA input and low level float switch plus manual control adjustments of control code 1</p>
	Output Codes
	See Output Options
Liquid End	Voltage Code
	<p>1 – 110-120V US Plug</p> <p>2 – 220-240V US Plug</p> <p>3 – 220-240V DIN Plug</p> <p>5 – 220-240V UK Plug</p> <p>6 – 220-240V Aust/NZ Plug</p> <p>7 – 220-240V Swiss Plug</p> <p>8 – 110-120V No Plug</p>
	Liquid End Code
	See previous page for options
	Liquifram™ Size Code
	<p>1 – 0.2 in²</p> <p>2 – 0.4 in²</p> <p>3 – 0.8 in²</p> <p>4 – 1.6 in²</p>
	Material Code
	See previous page for options
	Head/Valve Code
	<p>S – FastPrime™ Head + 4FV</p> <p>N – FastPrime™ Head</p> <p>H – AutoPrime™ Head + 4FV</p> <p>A – AutoPrime™ Head</p>
Connection Code	
<p>I – Inch Tubing and 1/2" NPT or 1/2" BSP Pipe</p> <p>M – Metric Tubing</p> <p>U – Black, UV Resistant Tubing</p>	



* Dimensions shown are maximum for largest liquid end available. These dimensions vary depending on the liquid end selected.